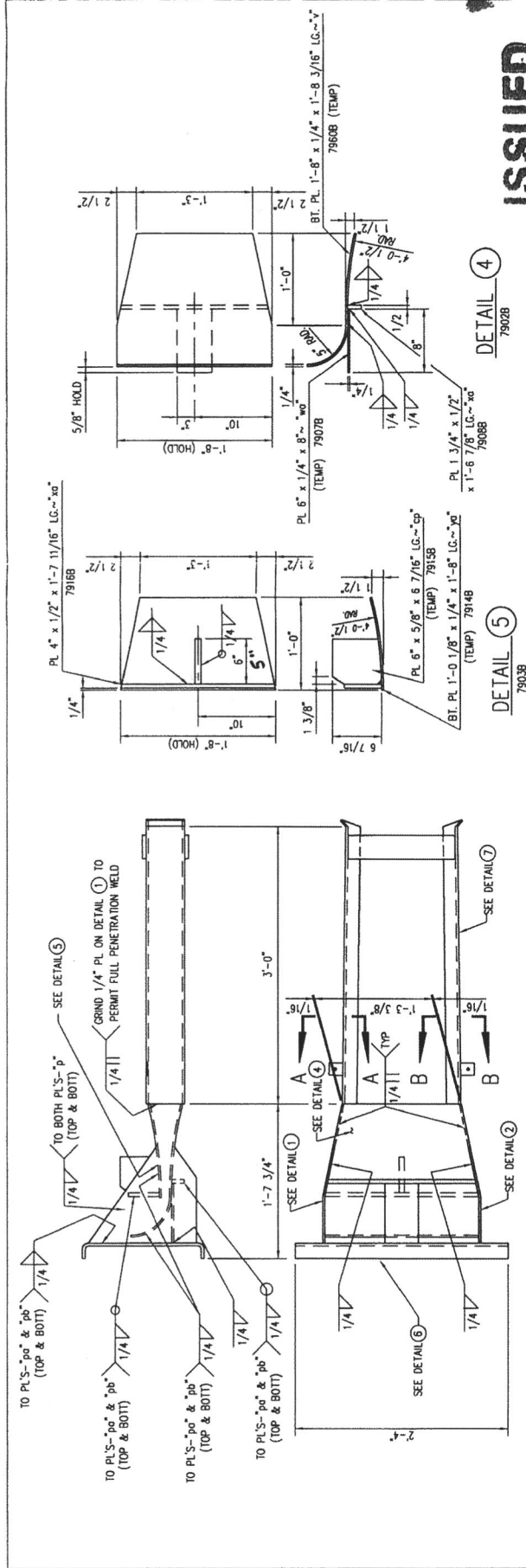


BILL OF MATERIAL (FOR 1 UNIT)			
PRODUCT CODE	QTY	DESCRIPTION	REMARKS
995A		GUARDRAIL EXTRUDER	
EACH 995A CONSISTS OF:			
EACH 995A CONSISTS OF:			
79008	1	DETAIL (1) EACH CONSISTS OF:	
	1	PL 1-2" x 1/4" x 1'-6" LG.	14.3
	1	PL 1-2" x 1/4" x 1'-6" LG.	9.3
(TEMP)			
79018	1	DETAIL (2) EACH CONSISTS OF:	
	1	PL 1-2" x 1/4" x 1'-6" LG.	14.3
	1	PL 1-2" x 1/4" x 1'-6" LG.	9.3
(TEMP)			
79028	1	DETAIL (4) EACH CONSISTS OF:	
	1	PL 1-8" x 3/8" x 1'-8" LG.	30.3
	1	PL 6" x 1/4" x 8" LG.	26.5
	1	PL 6" x 1/4" x 8" LG.	3.6
	1	PL 1-3/4" x 1/2" x 1'-6" LG.	5.0
	1	PL 1-3/4" x 1/2" x 1'-6" LG.	4.7
(TEMP)			
79038	1	DETAIL (5) EACH CONSISTS OF:	
	1	PL 1-0" x 1/8" x 1/4" x 1'-8" LG.	18.2
	1	PL 1-0" x 1/8" x 1/4" x 1'-8" LG.	15.1
	1	PL 6" x 5/8" x 6" LG.	6.9
	1	PL 4" x 1/2" x 1'-7" LG.	11.2
	1	PL 4" x 1/2" x 1'-7" LG.	11.2
(TEMP)			
79048	1	DETAIL (6) EACH CONSISTS OF:	
	1	PL 1-6" x 1/4" x 2'-4" LG.	37.9
	1	PL 1-6" x 1/4" x 2'-4" LG.	35.7
(TEMP)			
79058	1	DETAIL (7) EACH CONSISTS OF:	
	2	PL 3" x 1/4" x 1'-7/8" LG.	6.3
	2	CS 6.7/8" x 3'-1" LG.	42.1
	2	PL 2-3/8" x 1/8" x 2-3/8" LG.	4.4
	2	PL 2-3/8" x 1/8" x 2-3/8" LG.	4.4
(TEMP)			
		TOTAL WT.	191.3/185.9

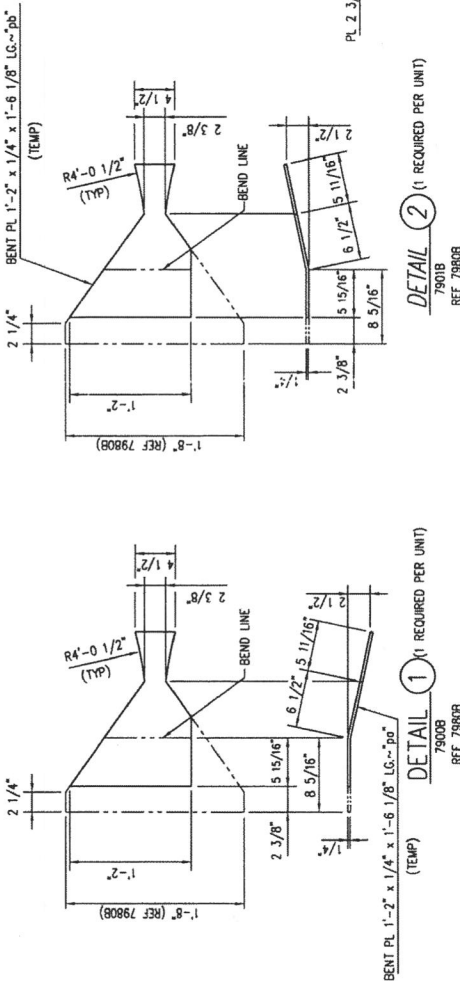
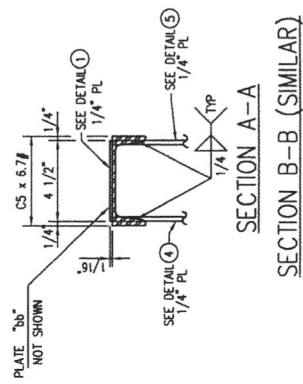
ISSUED

NOV 18 1999

ISSUED



995A~GUARDRAIL EXTRUDER



PRELIMINARY

CONFIDENTIAL AND PROPRIETARY REPRODUCTIONS OF THIS DRAWING ARE FOR INTERNAL DISTRIBUTION ONLY.

REV	CHG	BY	DATE	REMARKS

ET-2000

ET-2000 IMPROVED WELDMENT ASSEMBLY DETAILS

MATERIAL: A36

FINISH: GALV A-123

1999 EDITION DATE 11/18/99
TRINITY INDUSTRIES, INC.
HIGHWAY SAFETY PRODUCTS
2525 STEWARTS FREEWAY, DALLAS, TX 75207

